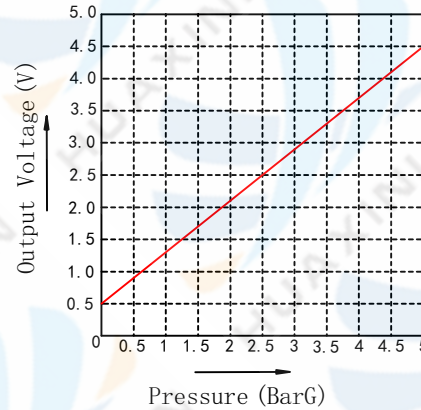


Version	Change Mark	Change Description	Date
A1		Initial Release	20241031

# 1、Technical Description

Working Voltage	4.75-16 VDC
Working Current	<3 mA, Typical Value: 1.5 mA
Pressure Range	0-5 BarG
Overload Pressure	2 x FS
Burst Pressure	5 x FS
Output Voltage	※0.5-4.5V
Operating temperature	-20°C ~ +85°C (Wire), -20°C ~ +105°C (Pressure sensor)
Storage temperature	-20°C ~ +85°C
Output Accuracy	±0.5%FS@15°C - 35°C , ±2%FS@-20°C ~ +105°C
Response Time	< 10mS
Maximum Withstand Voltage	± 20V DC
ESD	Contact discharge: >8kV, Air discharge: >15kV
Cycle Life	>2 Million Pressure Cycles @ 2-5Hz, 0 ~ full scale Pressure 0, 15 - 35°C
Long - term Stability	Zero @25°C: <0.25% FSO (No Time Accumulation)
Operating Medium	Water, gas, oil and their mixtures
Waterproof & Dustproof	IP6K8K

# 2、Output Characteristics

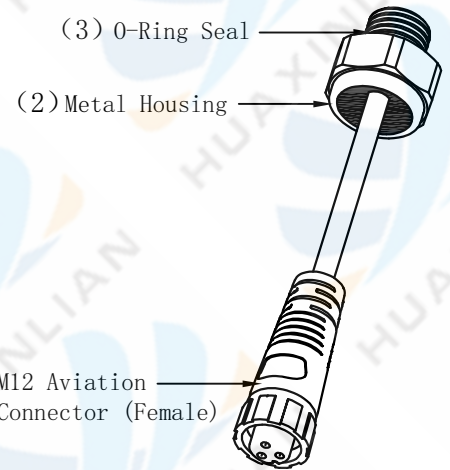
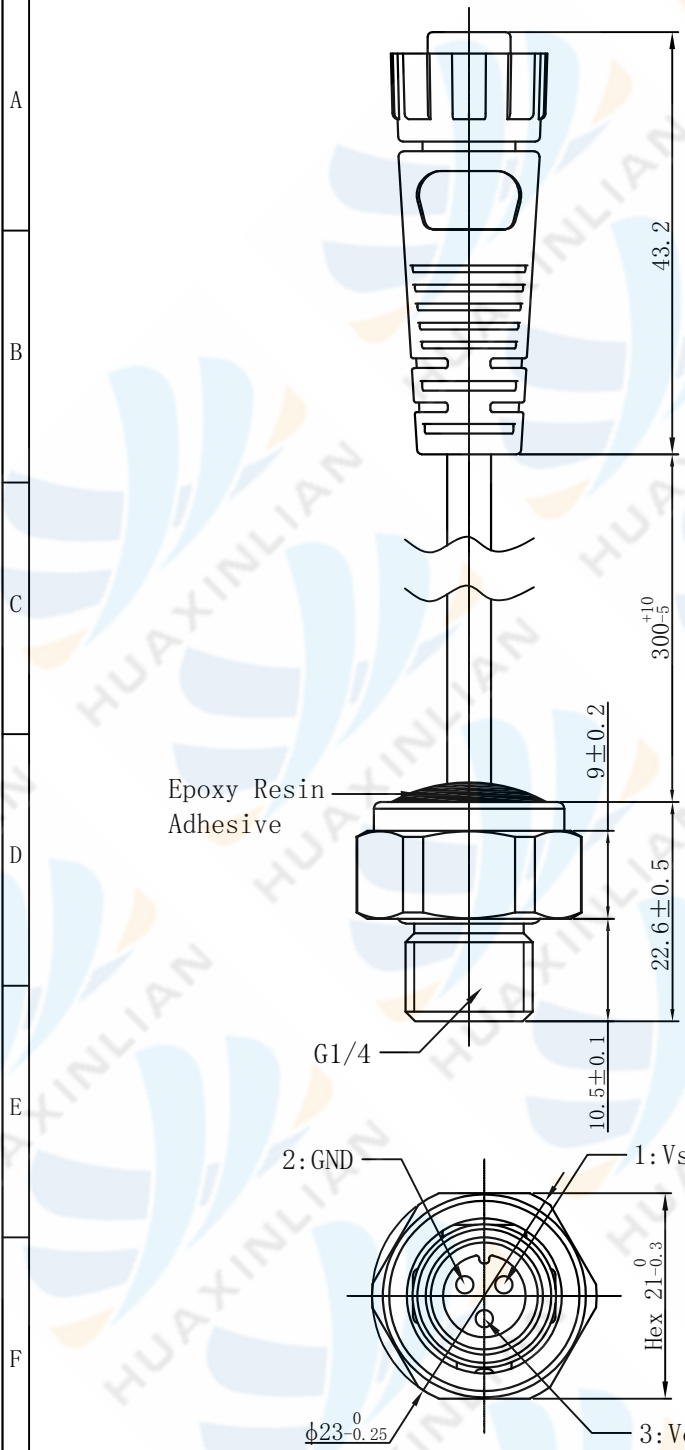


# 3、Transfer Function

$$V_{out} [V] = P[\text{BarG}] * 0.8 + 0.5$$

$$P[\text{BarG}] = (V_{out} [V] - 0.5) / 0.8$$

$V_{out}$ : Voltage Output [V]  
 $P$ : Input Pressure [BarG]



3		0-Ring Seal	Φ11.2 ID * Φ1.8 / FKM	1	
2		Metal Housing	6061-T6 Aluminum Alloy	1	
1		M12 Aviation Connector (Female)	M12 Aviation Plug (Plastic Type) with Cable (3-Pin, Female)	1	
No.	Drawing No.	Name	Specification	Qty.	Rem.

Dongguan HXL Science and Technology Co., Ltd <a href="http://www.gdhltech.com">www.gdhltech.com</a>		Weight: 27g	<b>Product Name:</b> 5Bar Pressure Sensor (M12 Aviation Connector Voltage Output)
		Material: T6061	
The copyright of this drawing belongs to Dongguan HXL Science and Technology Co., Ltd and shall not be reproduced or used for the sale of related products without permission.		<b>Key Parameters: ※</b> Unspecified tolerance dimensions: 0.5-3 (±0.1) 30-120 (±0.3) 3-6 (±0.1) 120-400 (±0.5) 6-30 (±0.2) 400-1000 (±0.8)	<b>Drawing No.:</b> HXL-A000-RS123-CP04
Designed by:	ZYM	20241031	<b>View:</b> <b>Version: A1</b>
Reviewed by:	LHJ	20241031	
Approved by:	XCQ	20241031	
Unspecified chamfer: R0.3 Unspecified angle: ±0.5° Unspecified roughness: Ra 0.8 Unit: mm			Page 1 of 1