



**HUAXINLIAN**

Professional Pressure Sensor Manufacturer

# HXL-300

## Special Industrial Pressure Transmitter Series

「Technical Specification」

1. Ceramic Monolithic Pressure Sensor and Module
2. Ceramic Flush Diaphragm Pressure Sensor and Module
3. Ceramic Capacitive Pressure Sensor and Module
4. MEMS Sensor
5. Pressure Transmitter
6. Level Sensor

## HXL-300

### Special Industrial Pressure Transmitter Series

#### Features

- Wide Temperature Range, -40°C to 105°C
- Compact Structure with Excellent Cost-Effectiveness
- Algorithm Compensation and Correction Technology
- 150% F.S Overload Resistance Performance
- High Impact Resistance
- Multiple Signal Outputs
- Supports Customization for Various Specifications



HXL-300A      HXL-300B      HXL-300C      HXL-300D

#### Applications

- Industrial Control
- Automobiles and Ships
- Petrochemical industry
- Construction Machinery
- Aerospace

...

#### Description

HXL-300 Series Transmitter is a fully independent and self-developed product by Huaxinlian, designed for specialized industrial pressure applications. Its core sensor utilizes a high-precision sputtered thin-film element.

The product features compact size, lightweight design, high accuracy, and impact resistance. With its easy installation, superior performance, and cost-effectiveness, it is suitable for measuring industrial liquids and gases. It is particularly well-suited for applications in industrial control, automotive and marine industries, petrochemical industry, and construction machinery.

From R&D design, production assembly, calibration, to quality inspection, every step of our manufacturing process strictly adheres to international quality production system standards.

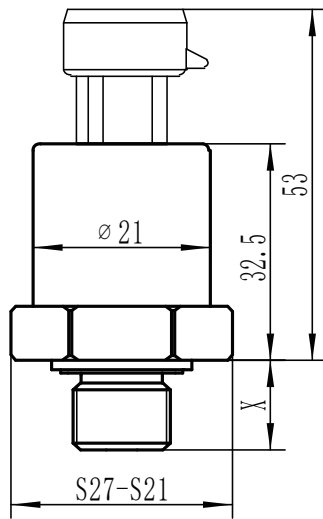
Measuring range	
Unit	Measuring Range
bar	0 to 1...0 to 2000
mbar	-1000 to 1000...0 to 100...0 to 2000000
MPa	-0.1 to 0.1...0 to 0.01...0 to 200
kPa	-100 to 100...0 to 10...0 to 200000
Pa	-100000 to 100000...0 to 10000...0 to 200000000
psi	-14.5 to 14.5...0 to 1.45...0 to 29000
mmHg	-750 to 750...0 to 75...0 to 1500124
inHg	-29.53 to 29.53...0 to 2.953... 0 to 59060

Materials		
Wetted Parts	Standard	Optional
Case	304Stainless steel	316L Stainless steel / Customizable
Sensor	Sputtered thin film	NA
O-ring	NBR	EPDM / CR / PTFE
Cable	RVVP2×0.35mm <sup>2</sup> PVVP3×0.35mm <sup>2</sup>	NA
Electrical Connector	Flame Retardant PAGF30	NA

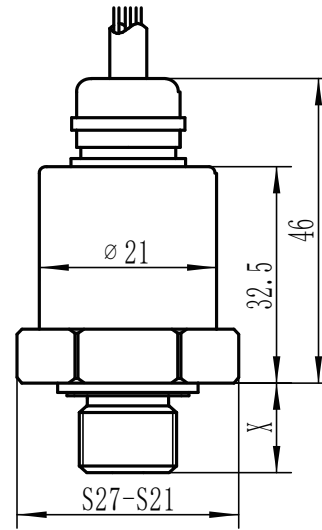
## Specifications

Model	HXL-200 Series			
Pressure Type	Gauge Pressure, Absolute Pressure			
Range	0-1...2000 bar (Customizable)			
Accuracy	≤ ±0.25%F.S.; ≤ ±0.5%F.S.; Customizable			
Electrical Performance	2-wire	3-wire		
Output Signal	4~20mA	0~5V	0~10V	0.5~4.5V
Supply Voltage	10-30V DC	8~32V DC	12-32V DC	8-32V DC / 5V DC
Operating Temperature	-40°C~105°C(Medium temperature), Customizable			
Storage Temperature	-40°C~105°C			
Electrical Connection	M12 Aviation Connector, Straight Connection, Packard Connector, Hirschmann Connector, Customizable			
Pressure Connection	Internal Thread	7/16~20 UNF		
	External Thread	1/4" NPT、R1/4、G1/4"、G1/2"、M14×1.5、M16×1.5、M20×1.5		
	Customizable	Thread specifications can be customized according to customer requirements		
Materials	Housing	SUS304 stainless steel (standard), Copper (optional), 316L stainless steel (optional), Customizable		
	Sensor	Sputtered film (standard 17-4PH), Customizable		
	O-ring	NBR (Standard), PTFE/CR/EPDM (Optional)		
Protection Rating	IP65、IP67、Customizable			
Response Time	≤10ms			
Overload Pressure	150%F.S.			
Long-term Stability	0.1%F.S.±0.05%/year			
Burst Pressure	1000% F.S. (P≤600bar); 200% F.S. (600bar < P≤2000bar)			
Insulation Resistance	>100M Ω @50V DC			

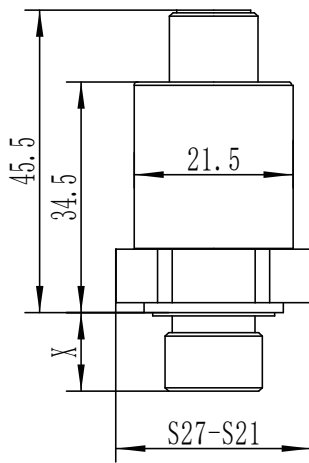
## Dimensions and Wiring Definitions



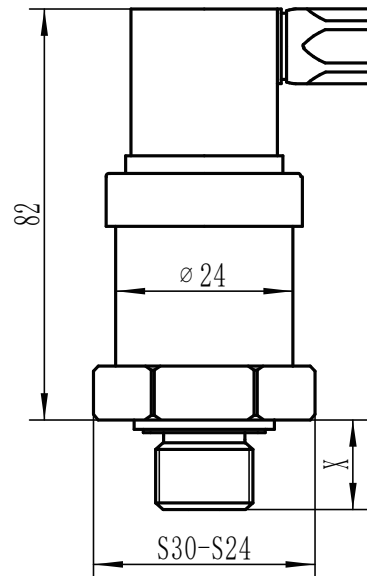
HXL-300A



HXL-300B

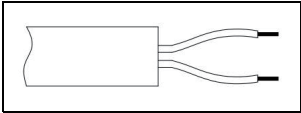
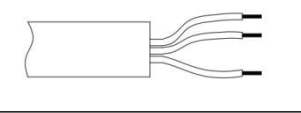
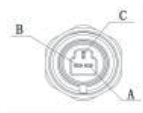




HXL-300C



HXL-300D

## Wiring Definitions

Direct Wire Connection	Current				
	Electrical Definition	Wire Color	Symbol		
	Power Positive	Red	Vcc+		
	Signal	Black	Iout		
Direct Wire Connection	Voltage	Wire Color	Symbol		
	Power Positive	Red	Vcc+		
	Signal	Green	Vout		
	Power Negative	Black	Gnd		
Packard Metri-Pack	Pin	2-wire (4~20mA)	3-wire (0.5~4.5V DC)		
	Pin Definition				
	A	Invalid/PE	GND		
	B	Power( Vcc+)	Power(Vcc+)		
C	Signal(Iout)	Signal (Vout)			
赫斯曼接头	Pin	2-wire		3-wire	
		Wire Color	Definition	Wire Color	Definition
	1	Red	Vcc+	Red	Vcc+
	2	Green	Iout	Black	GND
	3	/	/	Green	Vout
	⊕	Black	Shielding	Yellow	Shielding
航空插头	Pin	2-wire		3-wire	
		Wire Color	Definition	Wire Color	Definition
	1	Red	Vcc+	Red	Vcc+
	2	Green	Iout	Green	Vout
	3	/	/	Black	GND
	4	Black	Shielding	Yellow	Shielding

## Ordering Guide

### Product Model

HXL-300

#### Measurement Range

Optional: 0 to 1...2000 bar (Customizable)

#### Electrical Connection

M=M12 Aviation Connector      H=Hirschmann Connector  
 P=Packard Connector          Z=Direct Cable

#### Pressure Type

G=Gauge Pressure      A=Absolute Pressure

#### Output Signal

01= 0.5~4.5V (Ratio Voltage)    02= 0.5~4.5V (Absolute Voltage)    03= 0~5V (Ratio Voltage)  
 04= 0~5V (Absolute Voltage)    05= 0~10V (Ratio Voltage)    06= 0~10V (Absolute Voltage)  
 07= 4~20mA (2-wire)

#### Supply Voltage

V1= 5V DC      V2= 10-30V DC  
 V3= 3~5.5V DC    V4= 12~32V DC

#### Pressure Connector

10= G1/4" External Thread    11= G1/2" External Thread    12= M20×1.5 External Thread  
 13= M10×1 External Thread    14= 7/16~20 UNF Internal Thread    15= 1/4~18NPT External Thread  
 16= R1/4" External Thread    17= M14×1.5 External Thread    18= M16×1.5 External Thread  
 X= Custom

#### Accuracy

E1=0.25%F.S.    E2=0.5%F.S.    EX=Custom

#### Protection Rating

IP67 (Standard)    X=Custom

#### Others

300A    20    M    G    01    V1    10    E2    X

Ordering Example: HXL-300A20MG01V110E2X